

MODEL P-200K
MODEL P-250K

This Parts List is for the exclusive parts for the P200K/P250K.
Please refer to P200/P250 Parts List for the parts not listed in this
publication.

2

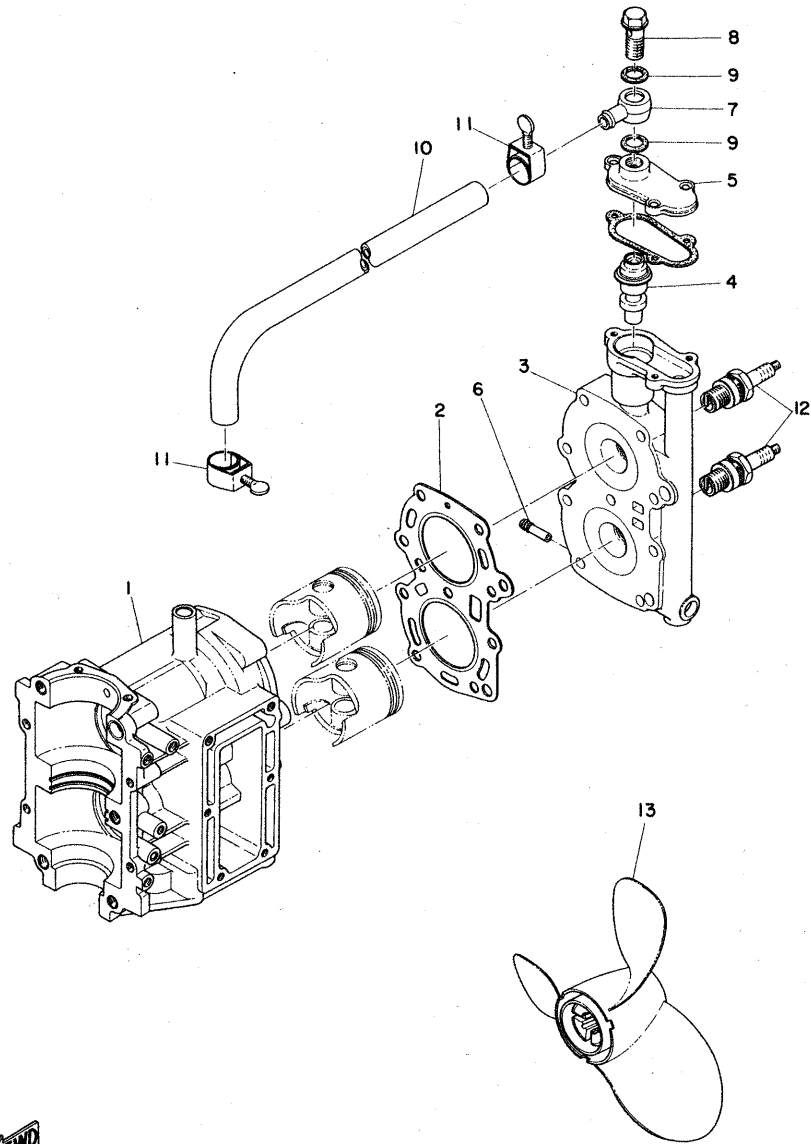
630-22

CONTENTS

Fig. 1	Engine & Propeller	1
Fig. 2	Intake & Water Tube	3
Fig. 3	Carburetor 1	5
Fig. 4	Carburetor 2	9
Fig. 5	Fuel Pump	11
Fig. 6	Cowling, Fuel Change & Drain	13
Fig. 7	Fuel Tank	15

NUMERICAL INDEX

Fig. 1 ENGINE & PROPELLER

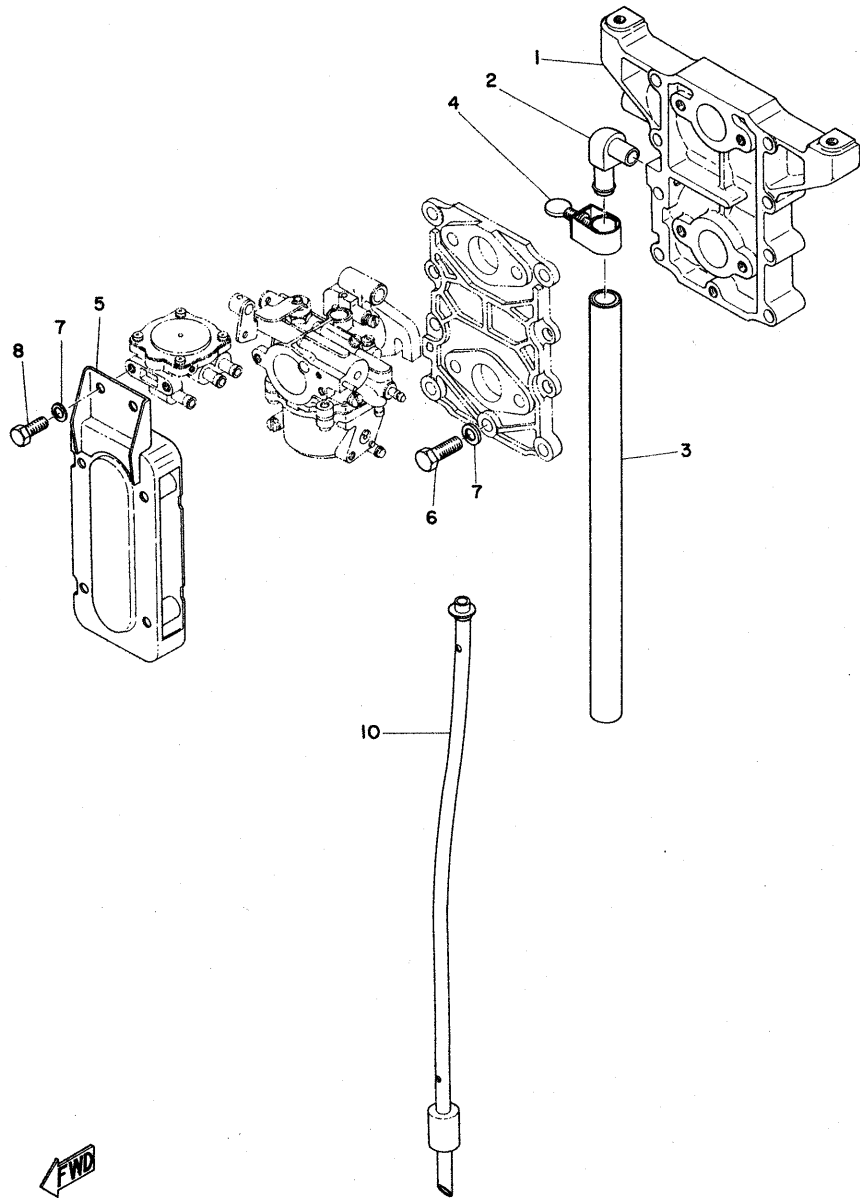


ENGINE & PROPELLER

Ref.No.	Part No.	Description	Q'ty		Remarks
			P-200K	P-250K	
1- 1	630-11311-00	CYLINDER	1		
	638-11311-00	CYLINDER		1	
1- 2	630-11181-00	GASKET, cylinder head	1		
	638-11181-00	GASKET, cylinder head		1	
1- 3	630-11111-01	HEAD, cylinder	1		
	638-11111-01	HEAD, cylinder		1	
1- 4	630-12411-00	THERMOSTAT	1	1	
1- 5	630-12413-00	COVER, thermostat	1	1	
1- 6	630-12497-00	PIN, pipe set 2	1	1	
1- 7	630-24341-00	BANJO, connection	1	1	
1- 8	630-24344-00	BOLT, banjo	1	1	
1- 9	626-11118-00	GASKET, water check plug	2	2	
1-10	630-12481-00	PIPE 1	1	1	
1-11	630-24351-00	BAND 1	2	2	
1-12	94701-00001	PLUG, spark (B-4H)	1	1	
1-13	626-45947-01	PROPELLER ASS'Y 4	1		
	626-45949-00	PROPELLER ASS'Y 5		1	



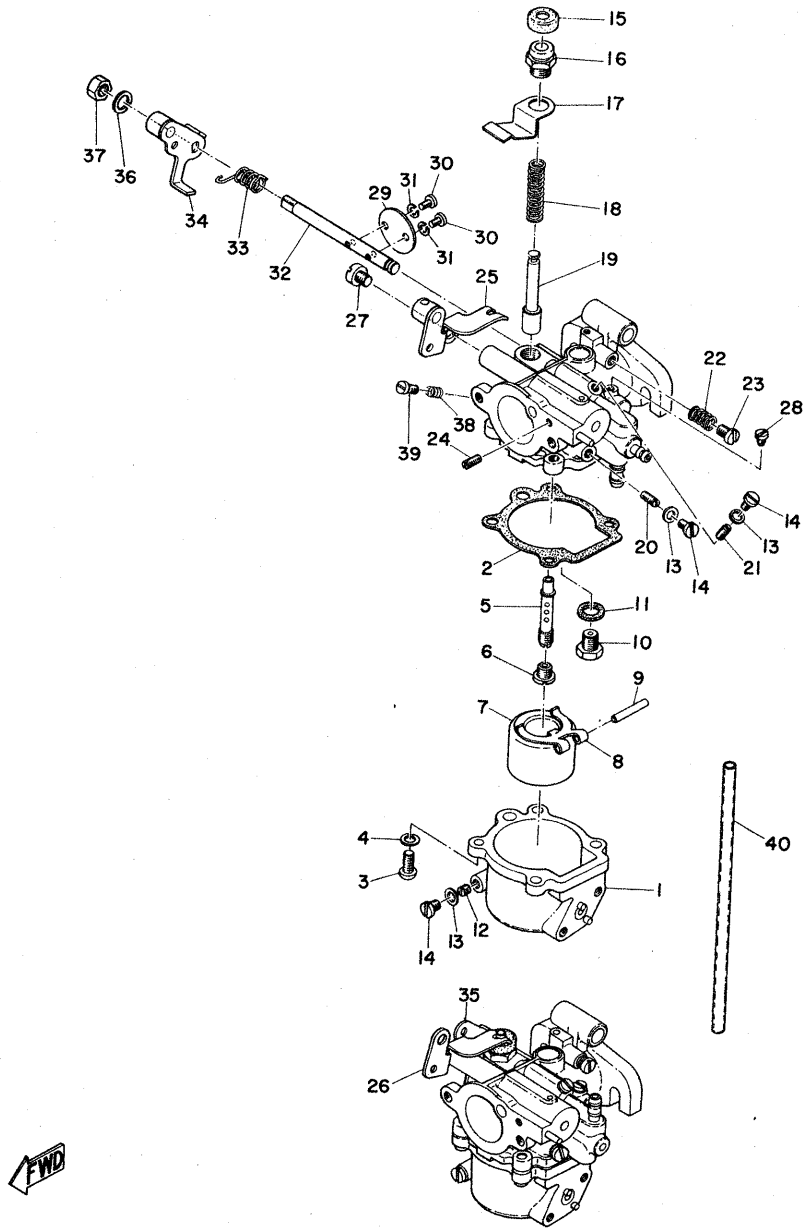
Fig. 2 INTAKE & WATER TUBE



INTAKE & WATER TUBE

Ref. No.	Part No.	Description	Q'ty		Applicable Machine No.	Remarks
			P-200K	P-250K		
2- 1	630-13641-02	MANIFOLD, intake 1	1	1		
2- 2	630-12496-00	PIN, pipe set	1	1		
2- 3	630-12482-00	PIPE, 2	1	1		
2- 4	630-24351-00	BAND 1	1	1		
2- 5	630-14441-00	SILENCER	1	1		
2- 6	91203-06020	BOLT	1	1		
2- 7	92903-06100	WASHER, spring	1	1		
2- 8	91203-05015	BOLT	2	2		
2- 9	92903-05100	WASHER, spring	2	2		
2-10	630-44361-00	TUBE, water	1	1		KS
	631-44361-00	TUBE, water	1	1		KL
	633-44361-00	TUBE, water	1	1		KSU

Fig. 3 CARBURETOR 1



CARBURETOR 1

Ref. No.	Part No.	Description	Q'ty		Applicable Machine No.	Remarks
			P-200K	P-250K		
3- 0-1	630-14301-01	CARBURETOR ASS'Y 1	1			
	638-14301-01	CARBURETOR ASS'Y 1		1		
3- 0-2	630-14302-01	CARBURETOR ASS'Y 2	1			
	638-14302-01	CARBURETOR ASS'Y 2		1		
3- 1	630-14381-00	. BODY, float chamber	2	2		
3- 2	626-14384-00	. GASKET, float chamber	2	2		
3- 3	98502-04012	. SCREW, pan head	8	8		
3- 4	92990-04100	. WASHER, spring	8	8		
3- 5	626-14341-00	. NOZZLE, main	2	2		
3- 6	630-14343-42	. JET, main (#84)	2			
	630-14343-44	. JET, main (#88)		2		
3- 7	626-14385-00	. FLOAT	2	2		
3- 8	626-14387-00	. ARM, float	2	2		
3- 9	626-14386-00	. PIN, float	2	2		
3-10	626-14390-00	. VALVE SEAT ASS'Y (#1.2)	2	2		
3-11	626-14398-00	. GASKET 1	2	2		
3-12	630-14344-00	. JET, starter (#80)	2	2		
3-13	801-24438-00	. GASKET, body 5	6	6		
3-14	626-14328-00	. SCREW, pilot stop	6	6		
3-15	626-14373-00	. COVER, plunger cap	2	2		
3-16	626-14374-00	. CAP, plunger	2	2		
3-17	626-14378-00	. PLATE, starter lever	2	2		
3-18	626-14335-00	. SPRING, plunger	2	2		
3-19	626-14371-00	. PLUGNER, starter	2	2		
3-20	626-14337-00	. AIR JET, main	2	2		

Fig. 3 CARBURETOR 1

CARBURETOR 1

Ref. No.	Part No.	Description	Q'ty		Applicable Machine No.	Remarks
			P-200K	P-250K		
3-21	626-14342-30	. JET, pilot (#60)	8	8		
3-22	626-14334-00	. SPRING, air adjusting	2	2		
3-23	626-14323-00	. SCREW, air adjusting	2	2		
3-24	626-14347-00	. AIR JET, slow	2	2		
3-25	626-14375-00	. LEVER, starter 1	1	1		
3-26	626-14376-00	. LEVER, starter 2	1	1		
3-27	626-14327-00	. SET SCREW, starter lever	2	2		
3-28	626-14326-00	. SCREW, guide	2	2		
3-29	630-14312-00	. VALVE, throttle (#13.5)	2	2		
3-30	626-14325-00	. SCREW, pan head	4	4		
3-31	92990-03100	. WASHER, spring	4	4		
3-32	626-14314-00	. BAR, throttle	2	2		
	630-14314-00	. BAR, throttle	2	2		
3-33	626-14331-00	. SPRING, throttle valve	2	2		
3-34	626-14315-00	. LEVER, throttle 1	1	1		
3-35	626-14316-00	. LEVER, throttle 2	1	1		
3-36	92990-06100	. WASHER, spring	2	2		
3-37	626-14363-00	. NUT, shutter bolt	2	2		
3-38	626-14333-00	. SPRING, throttle stop	2	2		
3-39	626-14321-00	. SCREW, throttle	2	2		
3-40	630-24314-00	PIPE 4	1	1		

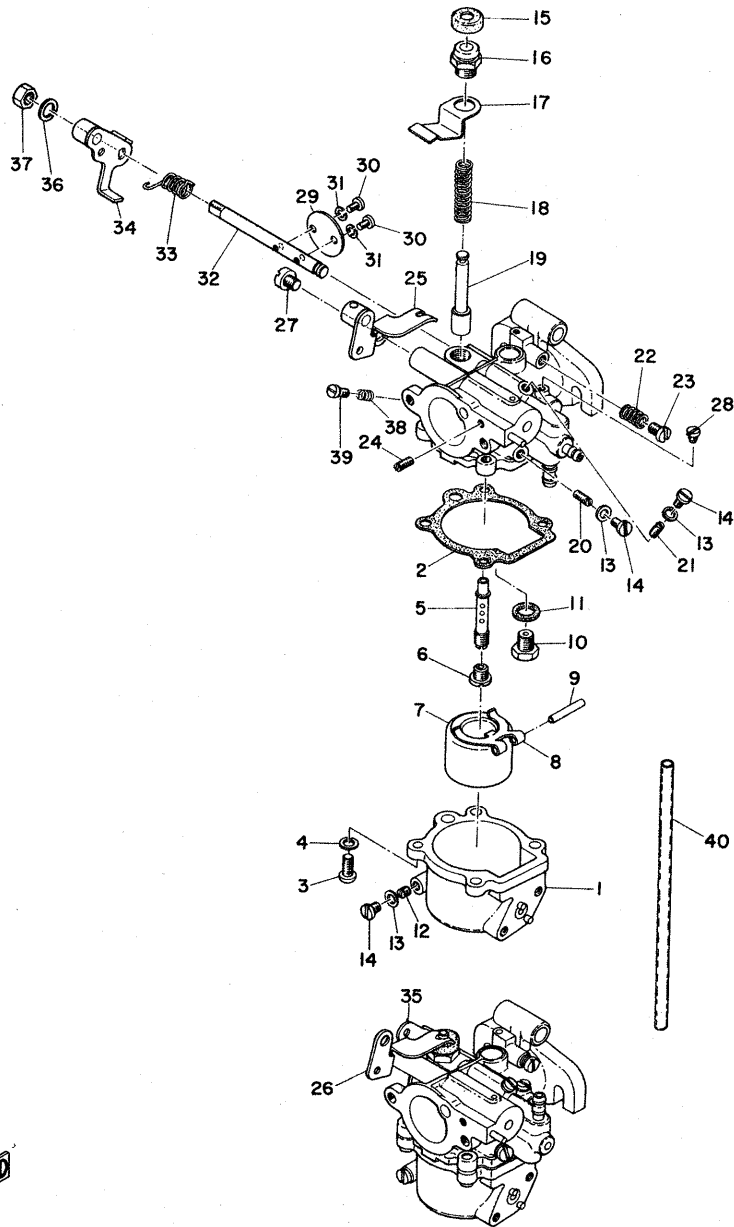
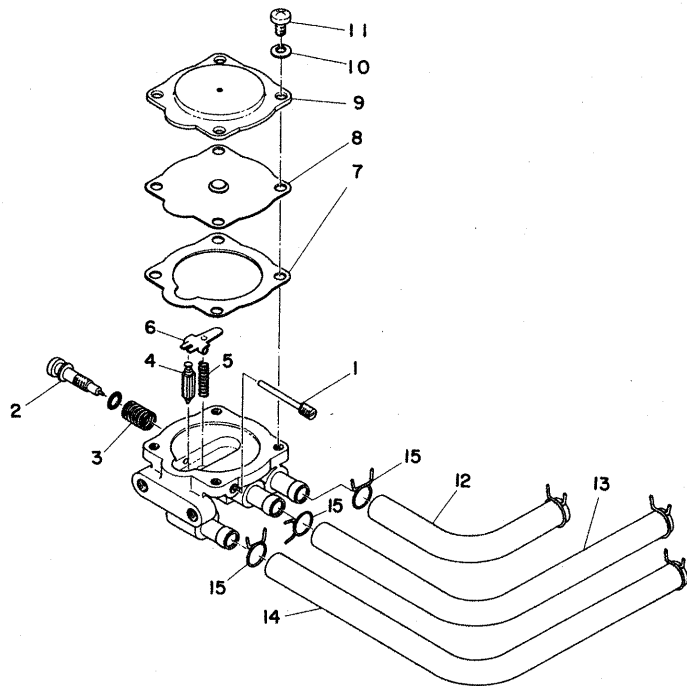


Fig. 4 CARBURETOR 2

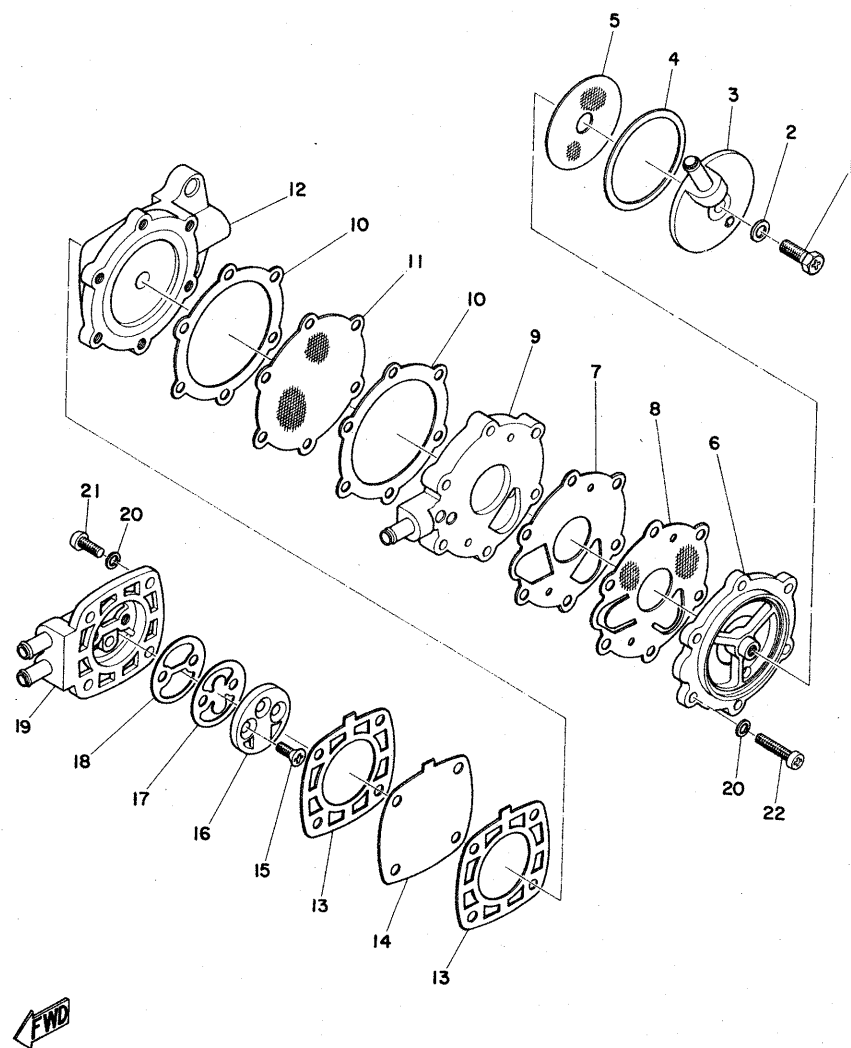


CARBURETOR 2

Ref. No.	Part No.	Description	Q'ty		Applicable Machine No.	Remarks
			P-200K	P-250K		
4- 0-1	630-14501-00	CARBURETOR ASS'Y 3	1	1		
4- 1	630-14548-00	. PIN, arm	1	1		
4- 2	630-14521-00	. SCREW, adjust	1	1		Not for sale
4- 3	630-14531-00	. SPRING, adjust screw	1	1		
4- 4	630-14552-00	. VALVE, check	1	1		
4- 5	630-14555-00	. SPRING	1	1		
4- 6	630-14547-00	. ARM, float	1	1		Not for sale
4- 7	630-14553-00	. GASKET	1	1		
4- 8	630-14545-00	. DIAPHRAGM	1	1		
4- 9	630-14542-00	. BODY 1	1	1		
4-10	92990-03100	. WASHER, spring	4	4		
4-11	98505-03006	. SCREW, pan head	4	4		
4-12	630-24318-00	PIPE 8	1	1		
4-13	630-24317-00	PIPE 7	1	1		
4-14	630-24316-00	PIPE 6	1	1		
4-15	616-24356-00	CLIP, pipe 1	6	6		



Fig. 5 FUEL PUMP

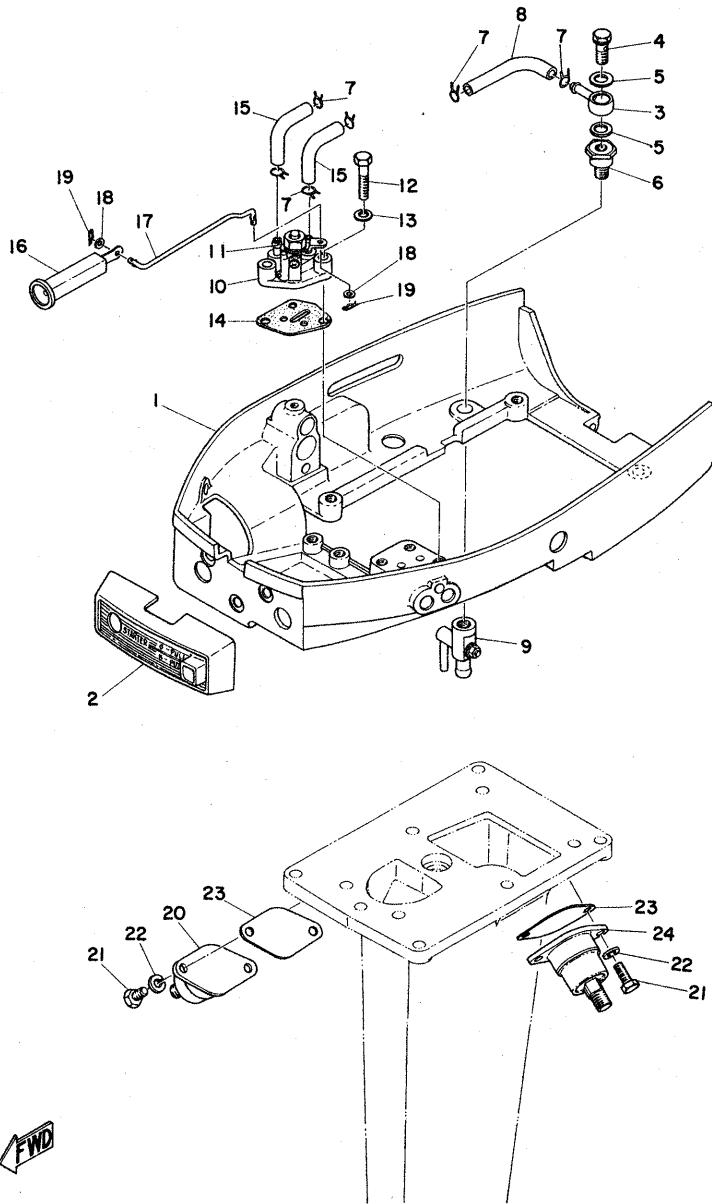


FUEL PUMP

Ref. No.	Part No.	Description	Q'ty		Applicable Machine No.	Remarks
			P-200K	P-250K		
5- 0-1	630-24410-00	FUEL PUMP ASS'Y	1	1		
5- 1	91203-05015	. SCREW	1	1		
5- 2	801-24437-00	. GASKET, body 4	1	1		
5- 3	801-24415-00	. BODY 4	1	1		
5- 4	801-24436-00	. GASKET, body 3	1	1		
5- 5	801-24451-00	. NET, filter	1	1		
5- 6	801-24413-00	. BODY 2	1	1		
5- 7	801-24435-00	. GASKET, body 2	1	1		
5- 8	801-24421-00	. VALVE, check	1	1		
5- 9	630-24412-00	. BODY 1	1	1		Not for sale
5-10	801-24434-00	. GASKET, body 1	2	2		
5-11	801-24411-00	. DIAPHRAGM	1	1		
5-12	630-24413-00	. BODY 2	1	1		Not for sale
5-13	630-24434-00	. GASKET, body 1	2	2		
5-14	630-24411-00	. DIAPHRAGM	1	1		
5-15	98605-04007	. SCREW, oval head	2	2		
5-16	630-24414-00	. BODY 3	1	1		
5-17	630-24421-00	. VALVE, check	1	1		
5-18	630-24435-00	. GASKET, body 2	1	1		
5-19	630-24415-00	. BODY 4	1	1		Not for sale
5-20	92990-04100	. WASHER, spring	10	10		
5-21	98503-04010	. SCREW, pan head	4	4		
5-22	98503-04018	. SCREW, pan head	6	6		

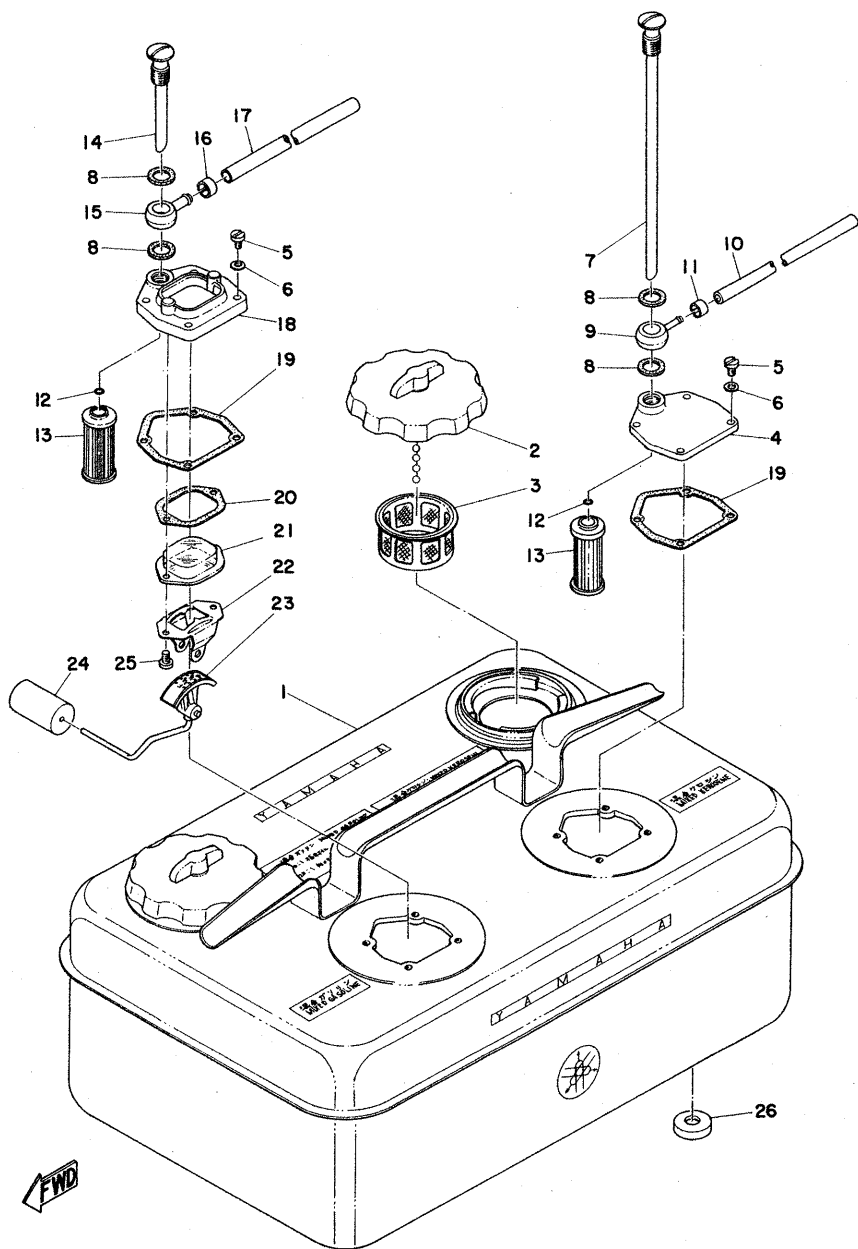
Fig. 6 COWLING, FUEL CHANGE & DRAIN

COWLING, FUEL CHANGE & DRAIN



Ref. No.	Part No.	Description	Q'ty		Applicable Machine No.	Remarks
			P-200K	P-250K		
6- 1	630-42711-02-37	COWLING, bottom 1	1	1		Ivory
6- 2	630-42791-00	MARK 1	1	1		
6- 3	601-24341-00	BANJO, connection	1	1		
6- 4	630-24345-00	BOLT, banjo 2	1	1		
6- 5	601-24347-00	PACKING, banjo 1	2	2		
6- 6	630-24346-00	BOLT, banjo 3	1	1		
6- 7	616-24356-00	CLIP, pipe 1	6	6		
6- 8	630-24313-00	PIPE 3	1	1		
6- 9	630-24590-00	DRAIN COCK ASS'Y	1	1		
6-10	630-24550-02	FUEL CHANGE COCK ASS'Y	1	1		
6-11	630-24531-00	NUT	1	1		Not for sale
6-12	91205-06025	BOLT	3	3		
6-13	92905-06100	WASHER, spring	3	3		
6-14	626-24385-00	PACKING 1	1	1		
6-15	630-24315-00	PIPE 5	2	2		
6-16	630-24575-01	LEVER, fuel change	1	1		
6-17	630-24573-02	ROD, fuel change	1	1		
6-18	92903-03200	WASHER, plain	2	2		
6-19	626-41236-00	PIN, hair 2	2	2		
6-20	630-44515-00	MOUNT RUBBER, upper side 2	1	1		
6-21	91280-06020	BOLT	4	4		
6-22	92990-06100	WASHER, spring	4	4		
6-23	630-44572-00	PACKING	2	2		
6-24	630-44514-00	MOUNT RUBBER, upper side 1	1	1		

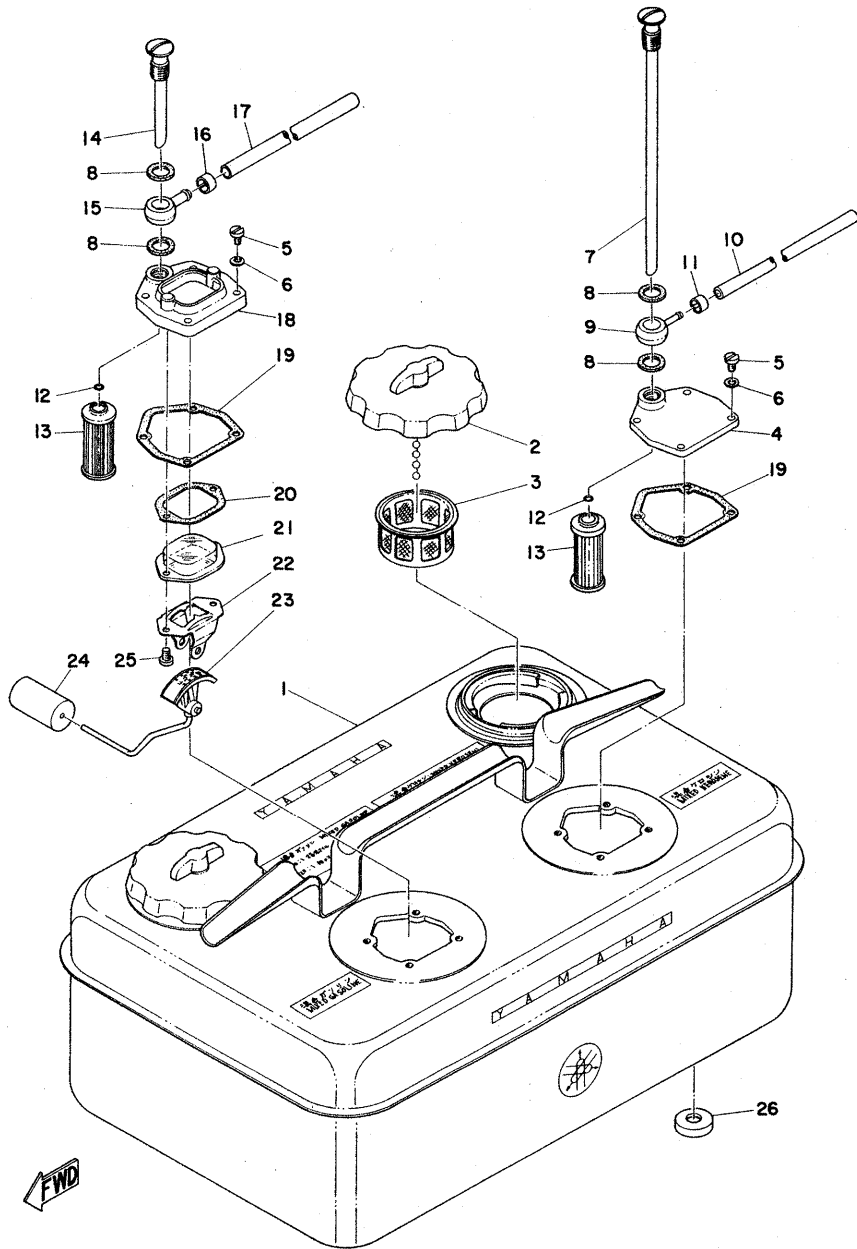
Fig. 7 FUEL TANK



FUEL TANK

Ref. No.	Part No.	Description	Q'ty		Applicable Machine No.	Remarks
			P-200K	P-250K		
7- 1	630-24201-00-24	FUEL TANK COMP.	1	1		Light Vermilion
7- 2	620-24610-00	CAP ASS'Y	2	2		
7- 3	615-24167-00	STRAINER	2	2		
7- 4	630-24271-00-33	HOUSING, fuel meter 2	1	1		
7- 5	98380-05018	SCREW, cylinder head	8	8		
7- 6	630-24329-00	SEAL	8	8		
7- 7	630-24335-00	PIPE, suction 1	1	1		
7- 8	630-24334-00	PACKING, suction pipe	4	4		
7- 9	630-24343-00	BANJO, connection 3	1	1		
7-10	601-24311-00	PIPE 1	1	1		
7-11	601-24351-00	BAND, fuel pipe	1	1		
7-12	93210-08006	O-RING	2	2		
7-13	630-24251-00	STRAINER	2	2		
7-14	630-24336-00	PIPE, suction 2	1	1		
7-15	630-24342-00	BANJO, connection 2	1	1		
7-16	601-24352-00	BAND, fuel pipe 2	1	1		
7-17	601-24312-00	PIPE 2	1	1		
7-18	630-24261-00-33	HOUSING, fuel meter 1	1	1		
7-19	630-24268-00	GASKET, housing fuel meter ...	2	2		
7-20	630-24269-00	GASKET, support indicator	1	1		
7-21	630-24263-00	LENS, indicator	1	1		
7-22	630-24262-00-33	SUPPORT, indicator	1	1		

Fig.7 FUEL TANK



FUEL TANK

Ref. No.	Part No.	Description	Q'ty		Applicable Machine No.	Remarks
			P-200K	P-250K		
7-23	630-24242-00-33	INDICATOR 2	1	1		
7-24	630-24264-00	FLOAT	1	1		
7-25	98303-05008	SCREW, cylinder head	2	2		
7-26	630-24217-00	COVER	3	3		

NUMERICAL INDEX

Ref No.	Parts No.	Ref No.	Parts No.	Ref No.	Parts No.
7-10	601-24311-00	3- 8	626-14387-00	7-13	630-24251-00
7-17	601-24312-00	3-10	626-14390-00	7-18	630-24261-00-33
6- 3	601-24341-00	3-11	626-14398-00	7-22	630-24262-00-33
6- 5	601-24347-00	6-14	626-24385-00	7-21	630-24263-00
7-11	601-24351-00	6-19	626-41236-00	7-24	630-24264-00
7-16	601-24352-00	1-13	626-45947-01	7-19	630-24268-00
7- 3	615-24167-00	1-13	626-45949-00	7-20	630-24269-00
4-15	616-24356-00	1- 3	630-11111-01	7- 4	630-24271-00-33
6- 7	616-24356-00	1- 2	630-11181-00	6- 8	630-24313-00
7- 2	620-24610-00	1- 1	630-11311-00	3-40	630-24314-00
1- 9	626-11118-00	1- 4	630-12411-00	6-15	630-24315-00
3-32	626-14314-00	1- 5	630-12413-00	4-14	630-24316-00
3-34	626-14315-00	1-10	630-12481-00	4-13	630-24317-00
3-35	626-14316-00	2- 3	630-12482-00	4-12	630-24318-00
3-39	626-14321-00	2- 2	630-12496-00	7- 6	630-24329-00
3-23	626-14323-00	1- 6	630-12497-00	7- 8	630-24334-00
3-30	626-14325-00	2- 1	630-13641-02	7- 7	630-24335-00
3-28	626-14326-00	3- 0-1	630-14301-01	7-14	630-24336-00
3-27	626-14327-00	3- 0-2	630-14302-01	1- 7	630-24341-00
3-14	626-41328-00	3-29	630-14312-00	7-15	630-24342-00
3-33	626-14331-00	3-32	630-14314-00	7-23	630-24242-00-33
3-38	626-14333-00	3- 6	630-14343-42	7- 9	630-24343-00
3-22	626-14334-00	3- 6	630-14343-44	1- 8	630-24344-00
3-18	626-14335-00	3-12	630-14344-00	6- 4	630-24345-00
3-20	626-14337-00	3- 1	630-14381-00	6- 6	630-24346-00
3- 5	626-14341-00	2- 5	630-14441-00	1-11	630-24351-00
3-21	626-14342-30	4- 0-1	630-14501-00	2- 4	630-24351-00
3-24	626-14347-00	4- 2	630-14521-00	5- 0-1	630-24410-00
3-37	626-14363-00	4- 3	630-14531-00	5-14	630-24411-00
3-19	626-14371-00	4- 9	630-14542-00	5- 9	630-24412-00
3-15	626-14373-00	4- 8	630-14545-00	5-12	630-24413-00
3-16	626-14374-00	4- 6	630-14547-00	5-16	630-24414-00
3-25	626-14375-00	4- 1	630-14548-00	5-19	630-24415-00
3-26	626-14387-00	4- 4	630-14552-00	5-17	630-24421-00
3-17	626-14378-00	4- 7	630-14553-00	5-13	630-24434-00
3- 2	626-14384-00	4- 5	630-14555-00	5-18	630-24435-00
3- 7	626-14885-00	7- 1	630-24201-00-24	6-11	630-24531-00
3- 9	626-14386-00	7-26	630-24217-00	6-10	630-24550-02

NUMERICAL INDEX

Ref No.	Parts No.	Ref No.	Parts No.	Ref No.	Parts No.
6-17	630-24573-02	5-20	92990-04100		
6-16	630-24575-01	3-36	92990-06100		
6- 9	630-24590-00	6-22	92990-06100		
6- 1	630-42711-02-37	7-12	93210-08006		
6- 2	630-42791-00	1-12	94701-00001		
2-10	630-44361-00	7-25	98303-05008		
6-24	630-44514-00	7- 5	98380-05018		
6-20	630-44515-00	3- 3	98502-04012		
6-23	630-44572-00	5-21	98503-04010		
2-10	631-44361-00	5-22	98503-04018		
2-10	633-44361-00	4-11	98505-03006		
1- 3	638-11111-01	5-15	98605-04007		
1- 2	638-11181-00				
1- 1	638-11311-00				
3- 0-1	638-14301-01				
3- 0-2	638-14302-01				
5-11	801-24411-00				
5- 6	801-24413-00				
5- 3	801-24415-00				
5- 8	801-24421-00				
5-10	801-24434-00				
5- 7	801-24435-00				
5- 4	801-24436-00				
5- 2	801-24437-00				
3-13	801-24438-00				
5- 5	801-24451-00				
2- 8	91203-05015				
5- 1	91203-05015				
2- 6	91203-06020				
6-12	91205-06025				
6-21	91280-06020				
6-18	92903-03200				
2- 9	92903-05100				
2- 7	92903-06100				
6-13	92903-06100				
3-31	92990-03100				
4-10	92990-03100				
3- 4	92990-04100				

 **YAMAHA MOTOR CO., LTD.**
PRINTED IN JAPAN
First edition, Nov., 1970